

BPBIO320

Upload-pressurized Automatic Sphygmomanometer.



Measuring blood pressure is one of the fundamental steps for maintaining a healthy lifestyle

Blood screening is basic to health check up.

BPBIO320 enables maintenance of health and lifestyle by allowing quick, easy and accurate blood pressure measurement.



* The BPBIO320 desk and chair option allows for an even safer use of BPBIO320. (optional)

Convenience is also technology.

BPBIO320



Simple and chic design with 3 different color schemes.

Green



Blue



Orange



Functions of BPBIO320

- 1 Flexible cuff guide ring that allows for accurate measurement of larger arm sizes (18 ~ 42cm)
- 2 Comfortable and painless measurement with the air pouch insulation and the cuff
- 3 Biotechnological design that ensures the right posture
- 4 Wide LED screen for easy checking of all results (systolic, diastolic, and pulse rate), LED light guides the process of measurement and indicates current time
- 5 One-touch check for reviewing and printing past results
- 6 'Print' button for an easier test
Larger buttons for easier recognition
- 7 High-speed thermal printer with automatic cutter for a clean and quick printing
Two different printing options available

Graph printing

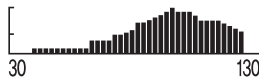
* MEASURE TIME : 10/05/06 14:00

Systolic : 120 mmHg

Diastolic : 79 mmHg

Pulse : 76 bpm

PULSE GRAPH



3 Line printing

* MEASURE TIME : 10/05/06 14:00

Systolic : 120 mmHg

Diastolic : 79 mmHg

Pulse : 76 bpm

- 8 Emergency closing during measuring process if necessary

BPBIO320's user-friendly design enables easy and accurate use for not only re

Outpatient clinics at hospitals or diagnostic purposes, public health centers



Recreational facilities, such as hotels or condominiums



Rest areas in companies or training centers



8



regular user, but also even for the first-time users. This allows for easy and high quality public use and installation.

shops, factories



Schools, military, or religious institutions



Sports centers, golf clubs, spa, sauna, or martial art centers



Public service areas in government organizations, banks or financial institution, or other public facilities, such as the subway



Private hospitals, Oriental-medicine clinics, rehabilitation, special diagnostic centers



Upload-pressurized Automatic Sphygmomanometer BPBIO320 gives accurate and less painful results.

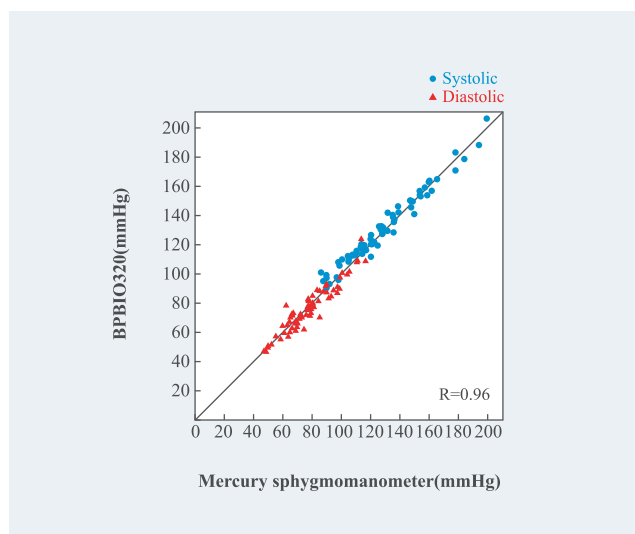


The BPBIO320 resolves the two most common problems associated with the automatic sphygmomanometers: the painful measuring process from excessive pressure and inaccurate results.

In order to locate systolic and diastolic points, previous models of automatic sphygmomanometer increased the pressure applied regardless of the each patient's blood pressure. It caused unnecessary pain as well as less reproducibility when repeating measurement due to the residual effects. BPBIO320 increases the pressure only up to the patient's systolic pressure to measure the systolic and diastolic blood pressure, allowing for minimal discomfort and minimal residual effects resulting from less pressure put. Also, it resolved the problem of prolonged measuring time from previous upflow-pressurized sphygmomanometers by using the individualized pressure according to the patient's heart rate.

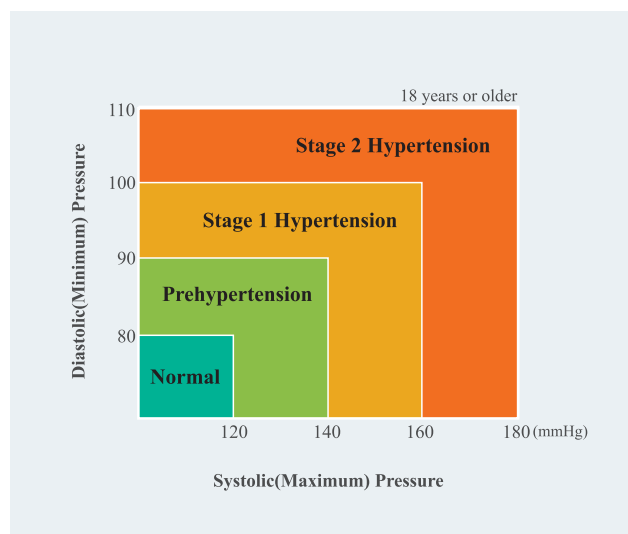
BPBIO320 is user-friendly and has all necessary components.

- Automatic energy saving mode 2 minutes after the measurement is taken
- Leads accurate measurement accounting for body movement
- Enhanced comfort using the compressor belt
- 3 color schemes
- Wide LED screen to easily read results
- 2-step security component for any emergency
- Printing and saving error codes for quick and complete customer service
- Body type analysis



Clinical trial results of BPBIO320

Mercury sphygmomanometer correlation study shows that BPBIO320 is very accurate.



Biospace has adopted the NIH Blood Pressure Guideline

BPBIO320 Specifications

Key Specifications

| | |
|-----------------------|--|
| Measuring Method | Oscillometric |
| * Pressurizing Method | Automatic pressurization by air pressurization speed controller micro pump |
| Depressurizing Method | Exhaust by micro valve |
| Cuff | Pressurizing belt method by gear motor, Automatic operation |
| Measurement Range | 0~300mmHg(Pressure), 30~240 bpm(Pulse) |
| Accuracy | ± 3mmHg(Pressure), ±2%(Pulse) |
| Measurement Result | Systolic & Diastolic Blood Pressure, Pulse |
| Measurement Duration | Average 40sec.(30~60sec. depending on the pulse rate or blood pressure) |
| Display Unit | 1mmHg |

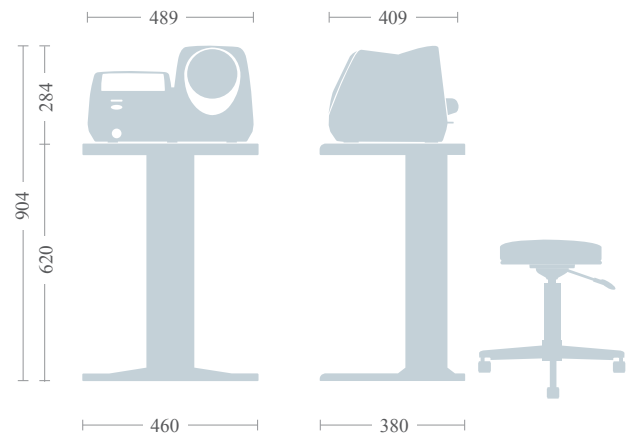
Feature Specifications

| | |
|-----------------------|---|
| Display Mode | 7-segment LED(Systolic, Diastolic, Time, Pulse) |
| Type of Results Sheet | Express Print / Graphs Print |
| * Safety Device | - If you press on the EMERGENCY button, the cuff will become loose for deflation. (Dual safety device system that cuff will become loose for deflation regardless of the central controller) - If you press on the START/STOP button, the cuff will become loose for deflation. - If the air pressure surpasses 300mmHg, the cuff will automatically deflate and loosen. |
| Printer | Express thermal printer with automatic cutter |
| Option | Personal desk, Height controllable chair |

Other Specifications

| | |
|-----------------------|---|
| Power Source | AC 100~120/200~240V, 50/60Hz |
| Power Consumption | 60VA |
| Dimensions | 489 (W) × 409 (L) × 284 (H): mm 19.3 (W) × 16.1 (L) × 11.2 (H): inch |
| Machine Weight | 9kg(19.8lbs) |
| Operation Environment | 10 ~ 40°C(50 ~ 104°F), 30 ~ 75%RH, 70 ~ 106kPa |
| Storage Environment | -20 ~ 50°C(-4 ~ 122°F), 10 ~ 95%RH, 50 ~ 106kPa(No condensation) |

* Specifications are subject to be changed without prior notice.



BIOSPACE is a body composition analysis device manufacturer that has acquired over 80 patent rights across the globe.



BIOSPACE

Biospace Co., Ltd. [HEAD OFFICE]
TEL: +82-2-501-3939
FAX: +82-2-578-2716
Website: <http://www.inbody.com>
E-mail: info@inbody.com

Biospace, Inc. [USA]
TEL: +1-323-932-6503
FAX: +1-323-952-5009
Website: <http://www.biospaceamerica.com>
E-mail: USA@biospaceamerica.com

Biospace Japan Inc. [JAPAN]
TEL: +81-03-5298-7667
FAX: +81-03-5298-7668
Website: <http://www.inbody.co.jp>
E-mail: inbody@inbody.co.jp

Biospace China. [CHINA]
TEL: +86-21-64439738, 9739, 9705
FAX: +86-21-64439706
Website: <http://www.biospacechina.com>
E-mail: info@biospacechina.com